



BELGISCH VERPAKKINGSINSTITUUT bvba  
INSTITUT BELGE DE L'EMBALLAGE sprl

DATE: Zellik, 11/07/2011

*TEST REPORT*

REPORT NR: PBO/pbo/P-11.175

Report P-11.175/p 1 of 16

OBJECT : Compression on pallet and drop

Receiving-date samples: 11/07/2011  
Executing date or period of tests: 11/07/2011

BY ORDER OF: **INDUS INTEGRATED BULK LOGISTICS**  
Koningsschot, 41  
3905 PR VEENENDAAL  
THE NEDERLAND

Att. Mr de Hoog Eric

General Manager

Eng. M. Wittebolle

Analyst

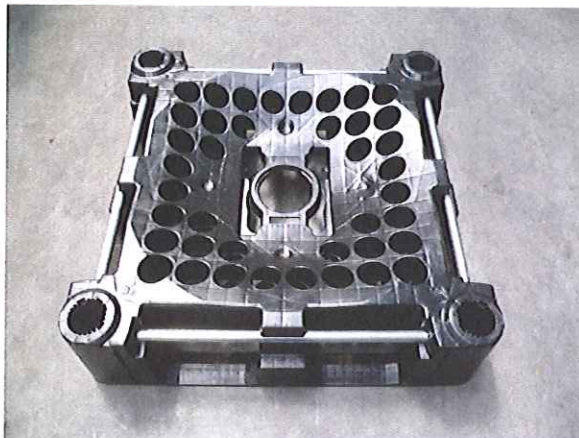
P. Bourdon

*The results of this report are exclusively related to the submitted samples  
This report shall not be reproduced except in full, without written approval of the laboratory*

**Report P-11.175**

1. Received Samples

3 pallets  
4 metallic supports



For Drop



For compression

2. Preconditioning

No preconditioning.

3. Effectuated tests

3.1 Compression

1 compression test on the pallet system.

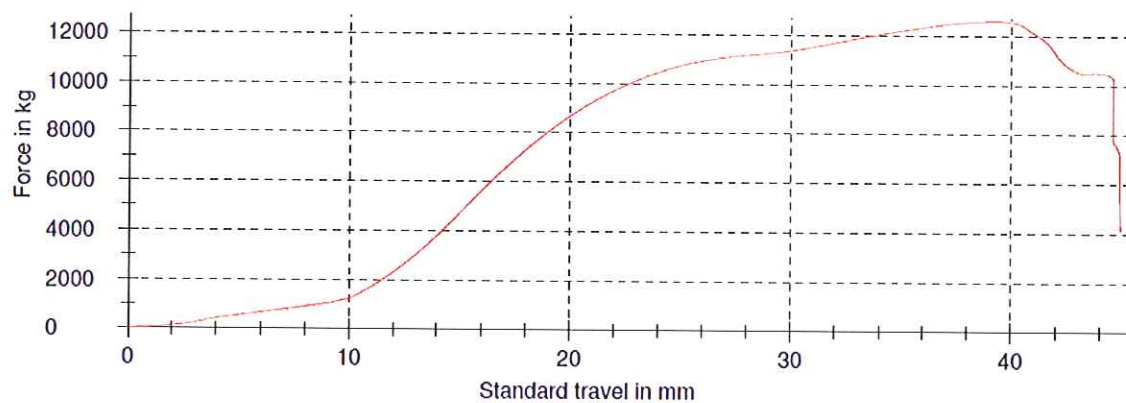
3.2 Drop test (2m50)

1 drop test on the corner

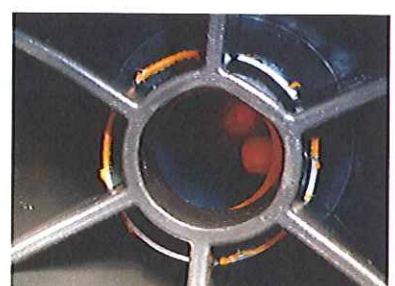
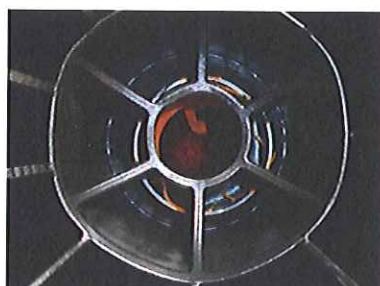
4. Results

4.1 Compression

The compression is done at 10 mm/min  
Pre-load: 100 N

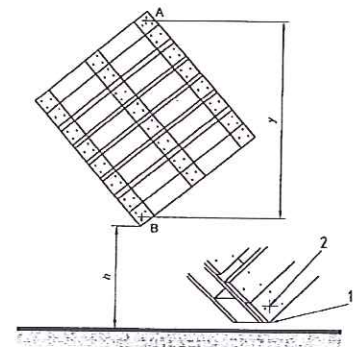


$$F_{\max} = 12618 \text{ kg}$$



#### 4.2 Drop test (2m50)

The pallet is lifted at 2m50.  
A free fall is applied on the corner.  
The distance between the 2 points (A and B) before the drop is 1312 mm and after the drop 1318 mm.



Drop corner test

The corner of the pallet splits on impact.

Philippe BOURDON

Analyst  
Packaging Laboratory