

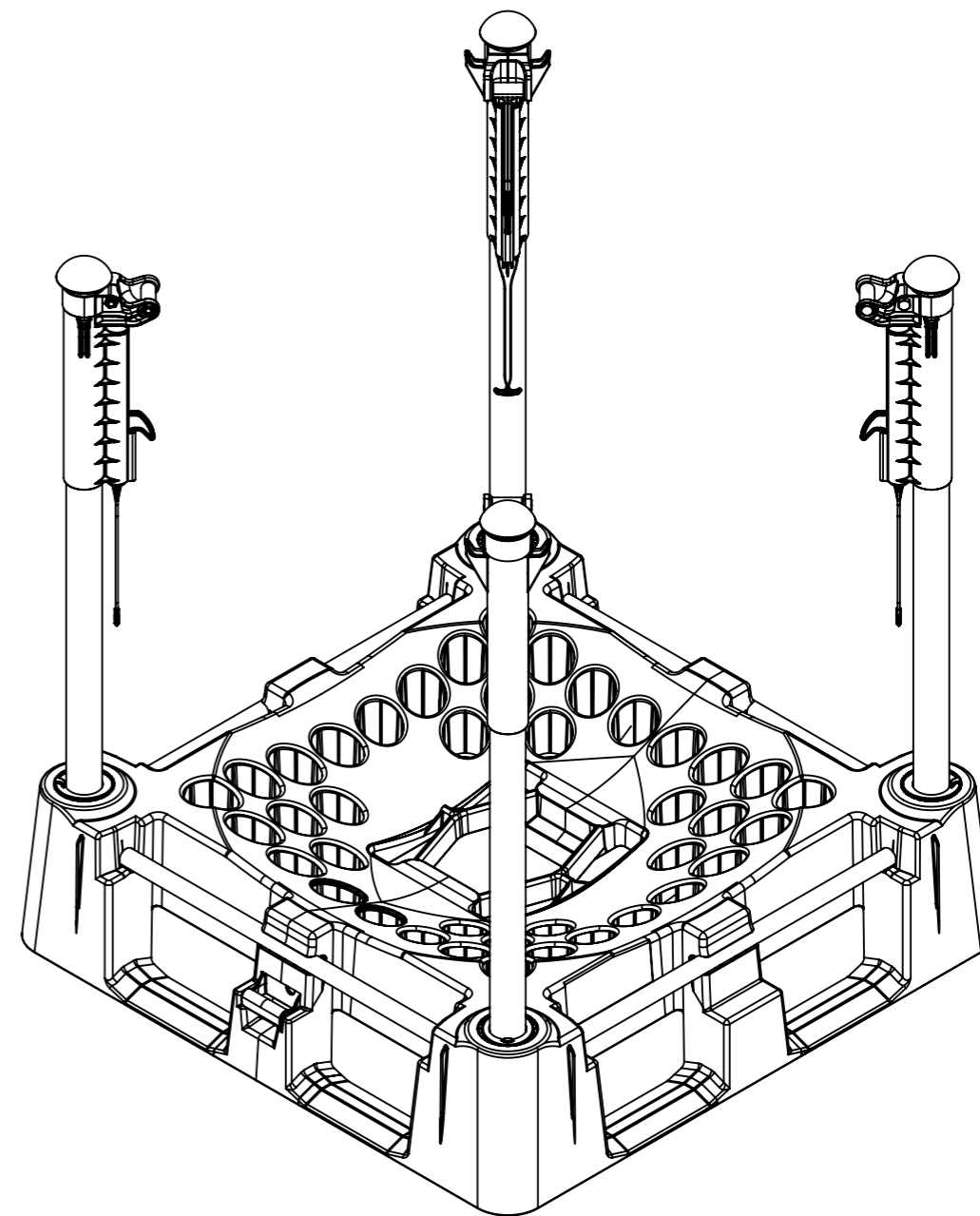
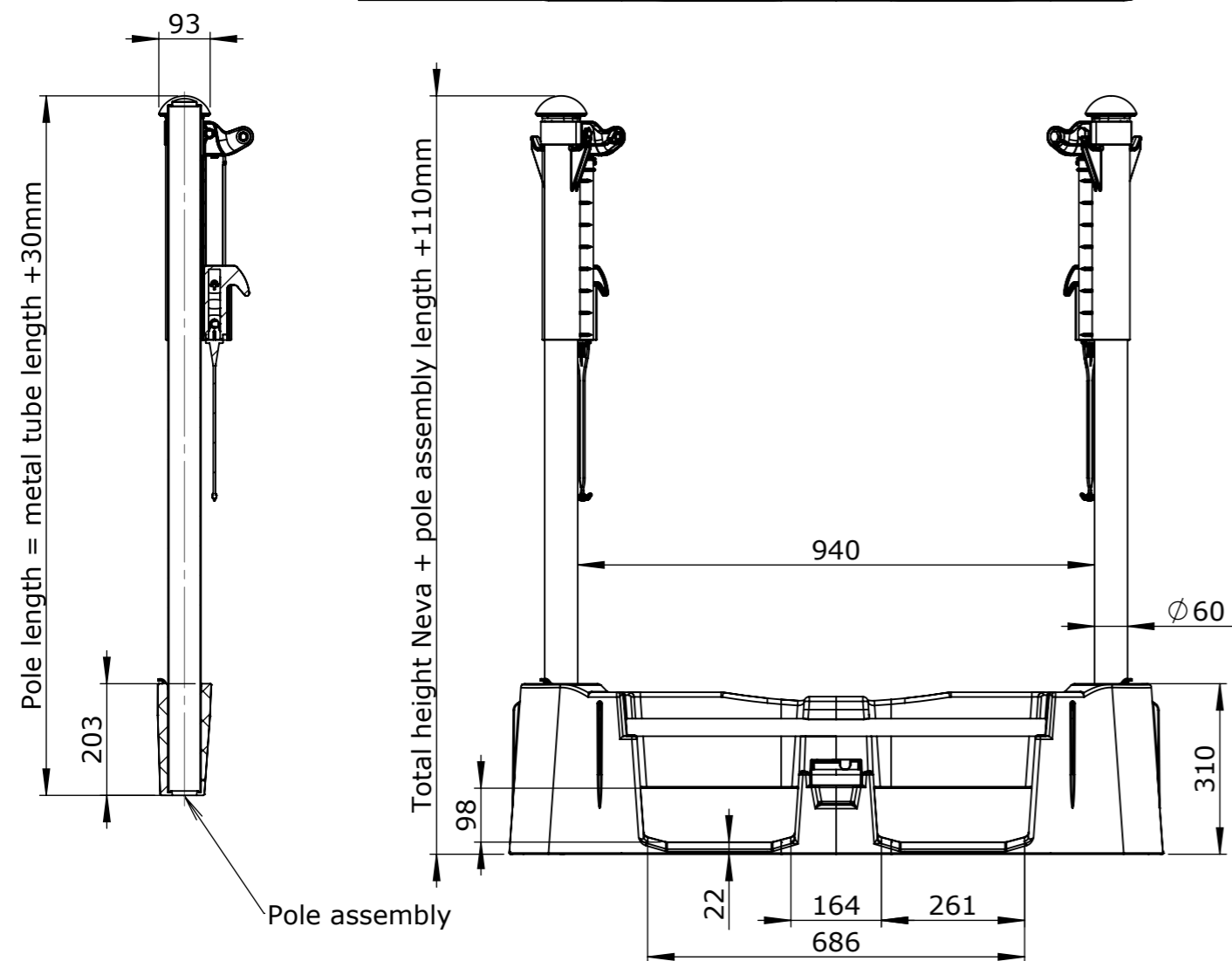
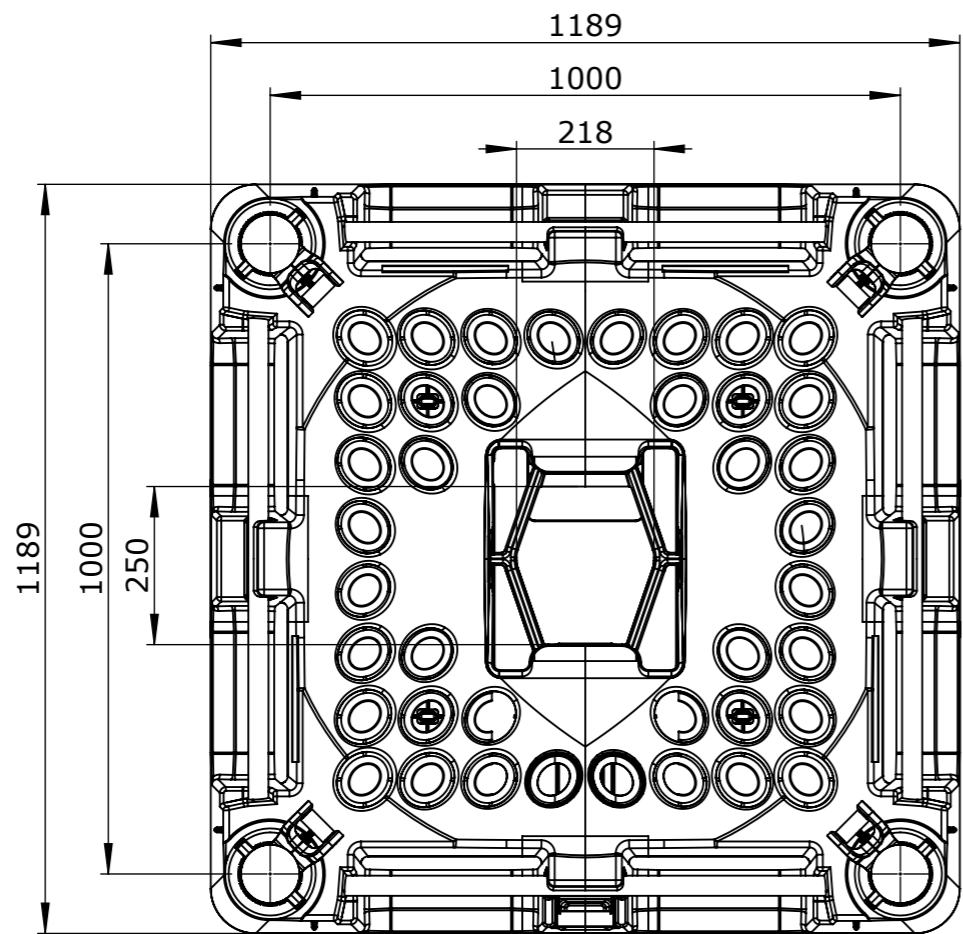


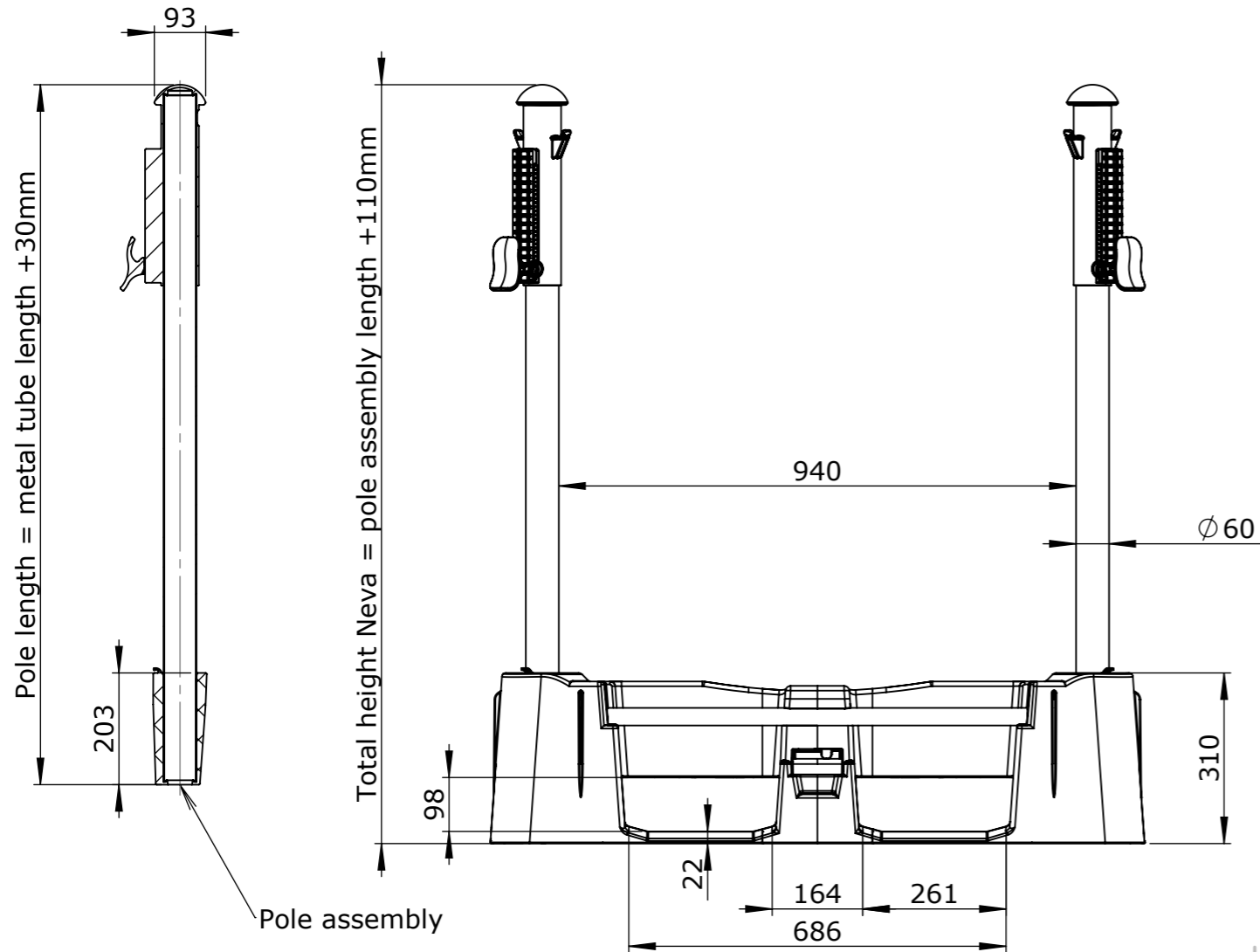
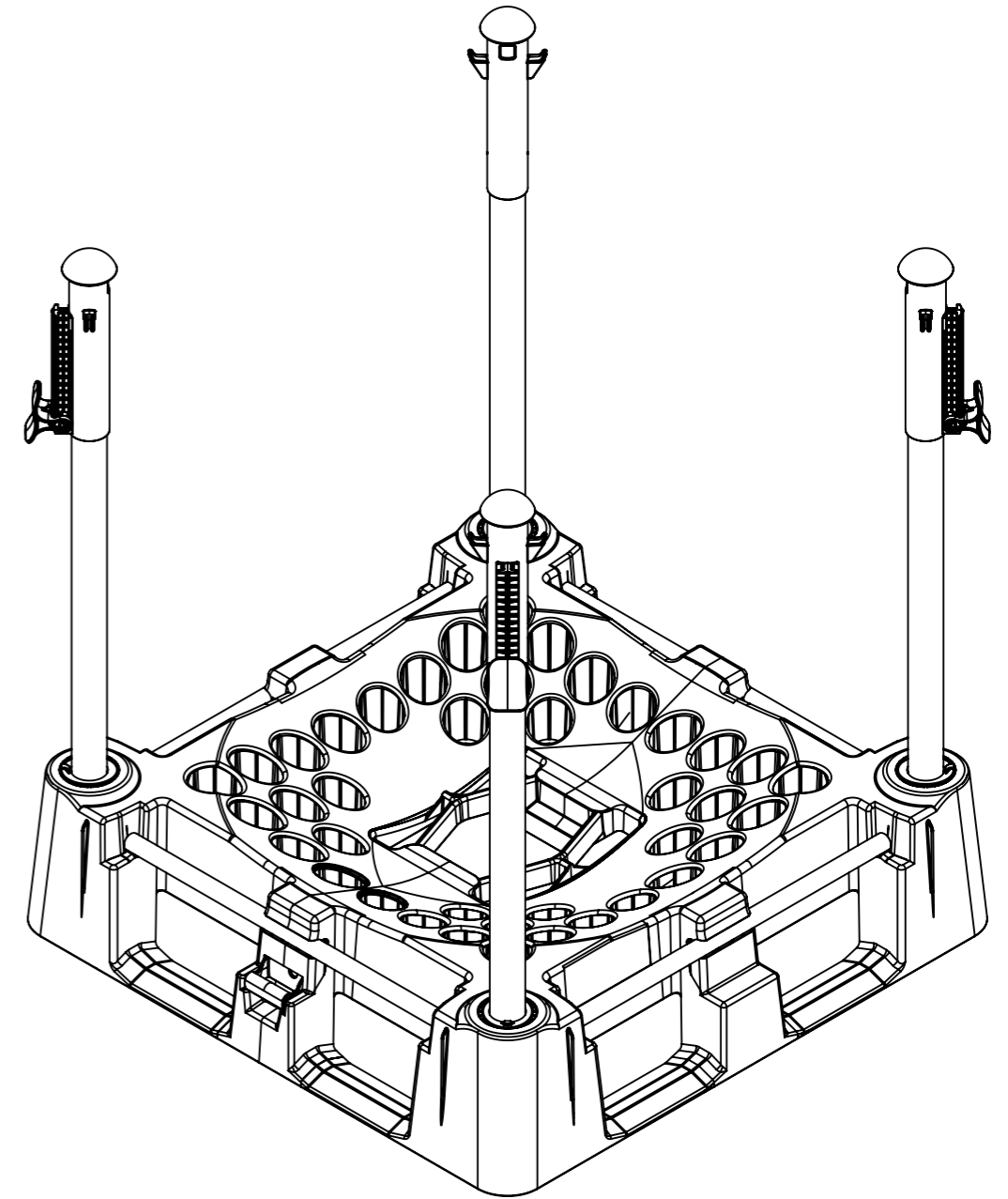
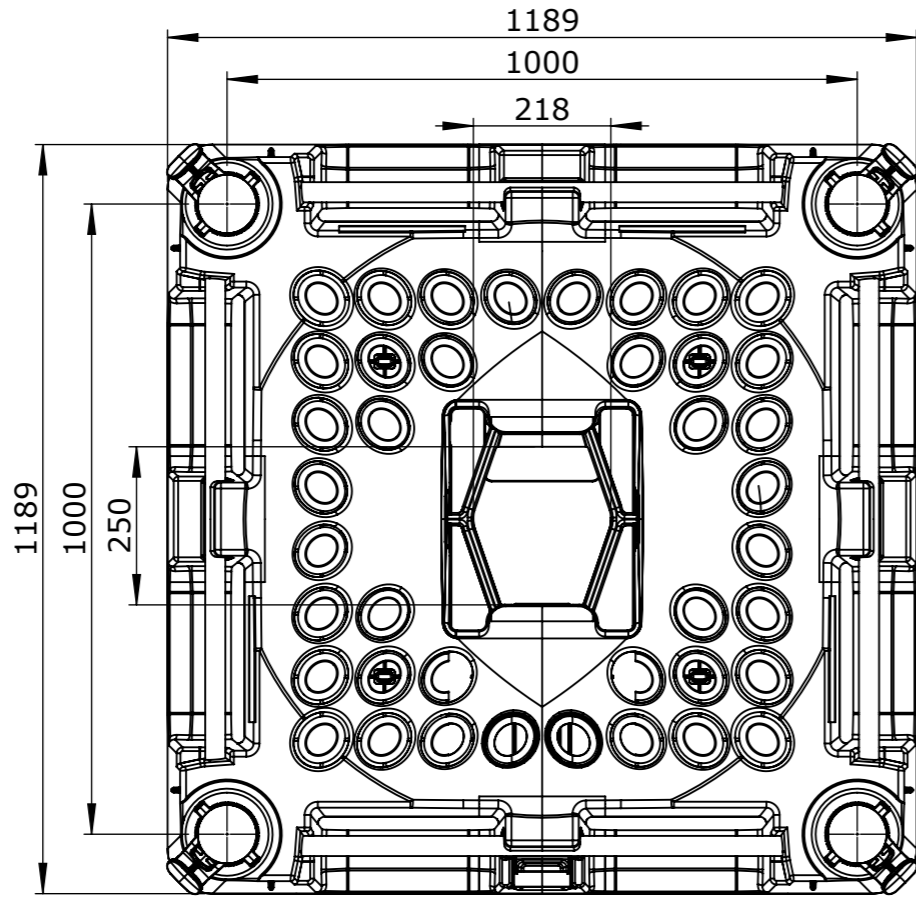
SCALE: 1:12	PROJECTION: 	PAPER: A3	DESCRIPTION: NEVA SPRING HEAD		
DRAWN: FH 11 Aug 2023			MATERIAL:		
CHECKED: FH 14 Aug 2023			TREATMENT:		
ALL DIMENSIONS IN mm			DRAWING NUMBER: 125549	REVISION: a	C.CODE: AS
THIS DRAWING IS CONFIDENTIAL. IT MUST NOT BE COPIED OR SHOWN TO THIRD PARTIES AND MUST BE RETURNED AFTER USE.					





SCALE: 1:12	PROJECTION: 	PAPER: A3	DESCRIPTION: NEVA ROLLING SPRING HEAD		
DRAWN: FH 11 Aug 2023			MATERIAL:		
CHECKED: FH 14 Aug 2023			TREATMENT:		
ALL DIMENSIONS IN mm			DRAWING NUMBER: 125549	REVISION: a	C.CODE: AS
THIS DRAWING IS CONFIDENTIAL. IT MUST NOT BE COPIED OR SHOWN TO THIRD PARTIES AND MUST BE RETURNED AFTER USE.					





SCALE: 1:12	PROJECTION: 	PAPER: A3	DESCRIPTION: NEVA LOCK HEAD		
DRAWN: FH 11 Aug 2023			MATERIAL:		
CHECKED: FH 14 Aug 2023			TREATMENT:		
ALL DIMENSIONS IN mm			DRAWING NUMBER: 125549	REVISION: a	C.CODE: AS
THIS DRAWING IS CONFIDENTIAL. IT MUST NOT BE COPIED OR SHOWN TO THIRD PARTIES AND MUST BE RETURNED AFTER USE.					



1

2

3

4

5

6

A

A

B

B

C

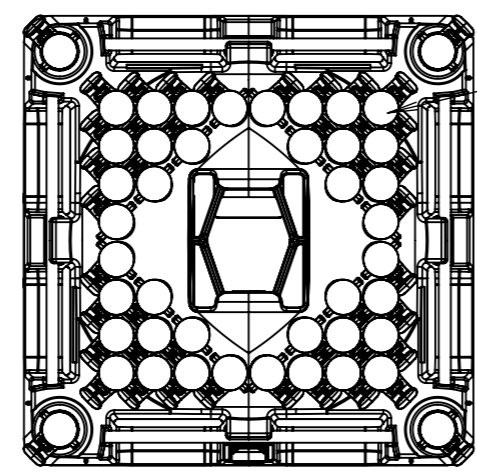
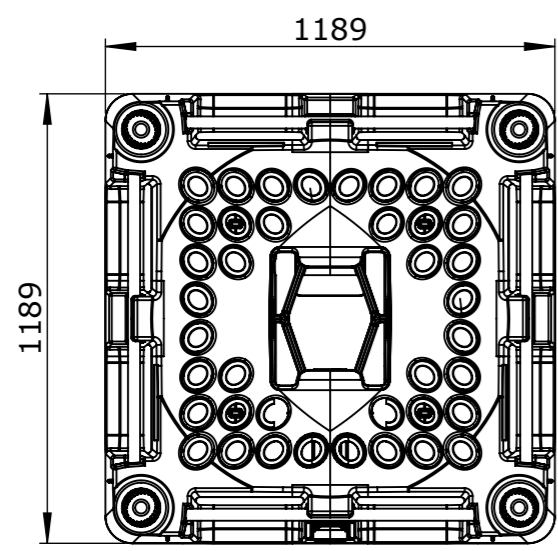
C

D

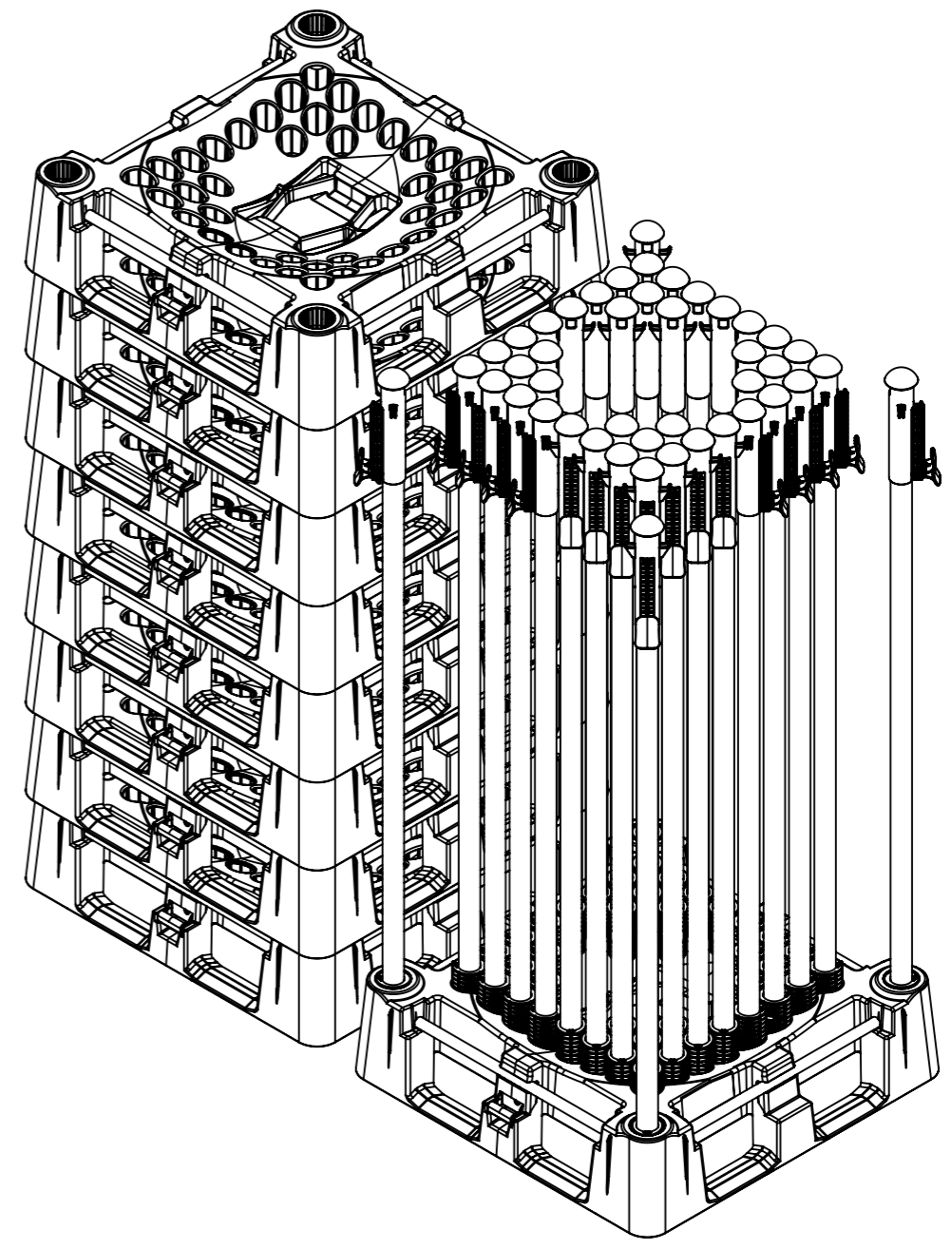
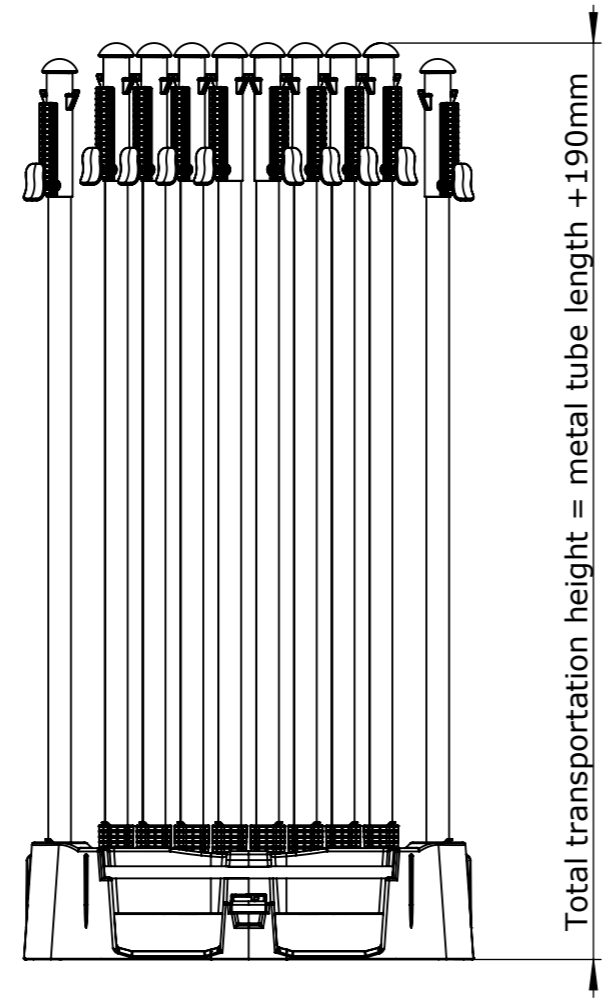
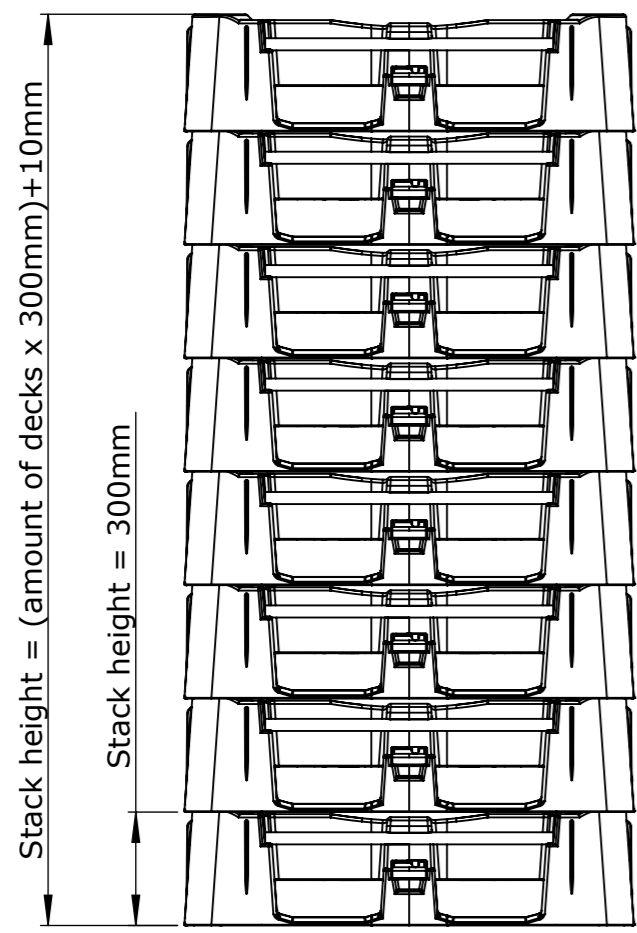
D

E

E



Maximum pole capacity of 44 pieces



SCALE: 1:20	PROJECTION: 	PAPER: A3	DESCRIPTION: NEVA TRANSPORTATION		
DRAWN: FH 11 Aug 2023			MATERIAL:		
CHECKED: FH 14 Aug 2023			TREATMENT:		
ALL DIMENSIONS IN mm			DRAWING NUMBER: 125549	REVISION: a	C.CODE: AS
THIS DRAWING IS CONFIDENTIAL. IT MUST NOT BE COPIED OR SHOWN TO THIRD PARTIES AND MUST BE RETURNED AFTER USE.					

1

2

3

4

5

6